

Tracer Wrap (Grey Wrap) Catalogue



REFLEX[®]
Manufacturing Ltd.



10474 - 172 Street Edmonton, Alberta T5S 1G9
 Phone: (780) 484-4002 Fax: (780) 484-7474
 Email: covers@reflex.ca

ORDERING INFORMATION

How to Order:

1. Specify Fit
2. Select Desired Size and Pipe Type
3. Specify Desired Liner
4. Specify Insulation Thickness
5. Specify quantity required, in linear-ft

Example:

Require tracer wrap for a 1" IP line with elbows and unions.
 Need unlined and 1/4" thick.
 L-1IP-S14-UL-1/4T

*Please note that 1/4" and 1/2" thick tracer wrap is produced in 20ft rolls. 1" thick tracer wrap is produced in 10ft rolls.
 For any non-standard length, a cut charge will be added to the order.*

Fit Information:

Fit:

- S - Snug
 -Snug fit is commonly used for straight pipe without trace, there is less room for movement and running over oddities on pipe.
- L - Loose
 -Loose fit is commonly used for piping with elbows, bends, traced pipe, etc. Adds an extra 1/2" width compared to Snug fit.

Pipe Type:

- SST - Stainless steel tubing, use for steel or copper tubing.
- IP - Iron pipe

Size:

- Nominal Pipe Size (NPS) of pipe
- Circumference or diameter measurement that the Tracer Wrap is wrapping around.

Specifications:

Temperature Rating:

- Low Temperatures
 Maximum operating temperature 392°F (200°C)
- High Temperatures
 Maximum operating temperature 1200°F (649°C)

See "Tracer Wrap Technical Data Sheet" for details and limitations.

Liner:

- UL - Unlined
 - Unlined tracerwrap has an outer jacket only and does not have a liner, leaving the insulation exposed to the pipe.
- L - Lined
 - Lined tracerwrap comes with both an inner liner and outer jacket. Is only available 1/4" and 1/2" thicknesses.

Thickness:

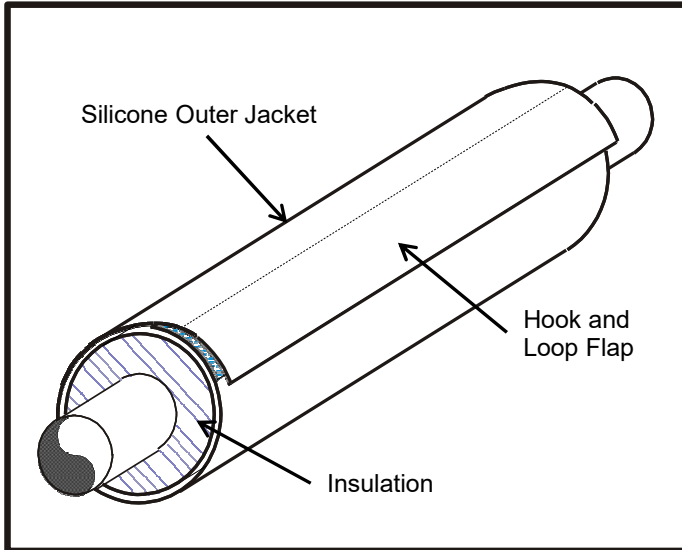
Insulation thicknesses available in 1/4", 1/2" and 1"

Reading the product codes:

L - 3/4SST - S14 - UL - 1/4T

L-	Fit	S or L
3/4	Size	Pipe or tubing size
SST-	Pipe Type	SST or IP
S-	Jacket Material	S (Silicone)
14-	Jacket Weight	14 = Fabric weight ie: 11-15 oz./sq. yd.
UL-	Liner	UL or L (Unlined or Lined)
1/4T	Insulation Thickness	

TRACER WRAP TECHNICAL DATA SHEET



- Recommended maximum operating temperature of 392°F (200°C) with hook and loop on flap.
- For high temperature applications, between 392°F (200°C) and 1200°F (649°C), hook and loop shall be removed from the flap and polyester thread shall be substituted for kevlar coated stainless steel thread. High temperature tracer wrap must be wired on during installation and must be properly sealed to ensure jacket temperature does not exceed 500°F (260°C). Other jacket options are available upon request.
- Lined Tracer Wrap, custom sizing and configurations available as a specialty order. Contact Reflex for further details on sizing, pricing and suitability.
- To be installed, this product is designed to be both cut to size and to add penetrations to accommodate interferences. Once this product is cut, there will be additional exposed insulation; the exposed insulation should be sealed with a suitable mastic if water shed is needed.

OUTER JACKET - SILICONE IMPREGNATED FABRIC

Weight	11-15 OZ yd ² +/- 10%
Thickness	0.016 +/- 10%
Temperature Res	500°F (260°C)
Base Fabric and Weave	Fiberglass / Plain Weave
Color and Coating	Grey Silicone - <i>Other jacket materials available upon request.</i>
Size	60" x 50 lyds 100lbs

Although base fabric is rated to 1000°F (538°C) continuous operating temperature, silicone coating is rated at 500°F (260°C) on a continuous basis.

INSULATION - NONWOVEN NEEDLED FIBERGLASS MAT

Available in 1/4", 1/2" and 1" thickness.

Composition	100% Needled Fiberglass Mat (E Glass)
Density	9-11 lb/ft ³ for 1/4" and 1/2" thick, 6-7 lb/ft ³ for 1" thick
Max Continuous Use Temp.	1200F (649°C)

Thermal Conductivity:

Temperature		Apparent Thermal Conductivity Btu-in/hr-sqft-F		
°F	°C	1/4"	1/2"	1"
70	21	0.26	0.26	0.25
300	149	0.35	0.35	0.29
500	260	0.48	0.48	0.35
700	371	0.64	0.64	0.45

Asbestos free, non-respirable, incombustible and contains no resinous or inorganic binders. Tested and conforms to Mil-DTL-24244D(SH), Mil-I-16411, USCG Subpart 164.009, ASTM C1086 (1/4" & 1/2" Thk), ASTM E84 industry standards and NRC 1.36.

*** Safety Data Sheets (SDS) for materials used to fabricate tracer wrap are available upon request ***

UNLINED TRACER WRAP SIZES

MEASURED PIPE CIRC. (INCHES)	SIZE CODE	Thickness	INSULATION WIDTH (INCHES)	MEASURED PIPE CIRC. (INCHES)	SIZE CODE	Thickness	INSULATION WIDTH (INCHES)
1"	S-1/4SST-S14-UL	-1/4T	3"	9"	S-2-1/2IP-S14-UL	-1/4T	11"
		-1/2T	5.25"			-1/2T	13"
		-1T	8"			-1T	16"
1.5"	L-1/4SST-S14-UL	-1/4T	3.5"	9.5"	L-2-1/2IP-S14-UL	-1/4T	11.5"
		-1/2T	5.75"			-1/2T	13.5"
		-1T	8.5"			-1T	16.5"
2"	S-1/2SST-S14UL	-1/4T	4"	11"	S-3IP-S14-UL	-1/4T	13"
		-1/2T	6"			-1/2T	15"
		-1T	9"			-1T	18"
2.5"	L-1/2SST-S14-UL	-1/4T	4.5"	11.5"	L-3IP-S14-UL	-1/4T	13.5"
		-1/2T	6.5"			-1/2T	15.5"
		-1T	9.5"			-1T	18.5"
2.75"	S-3/4SST-S14-UL	-1/4T	4.75"	12.5"	S-3-1/2IP-S14-UL	-1/4T	14.5"
		-1/2T	6.75"			-1/2T	16.5"
		-1T	9.75"			-1T	19.5"
3.25"	L-3/4SST-S14-UL	-1/4T	5.25"	13"	L-3-1/2IP-S14-UL	-1/4T	15"
		-1/2T	7.25"			-1/2T	17"
		-1T	10.25"			-1T	20"
3.5"	S-3/4IP-S14-UL	-1/4T	5.5"	14.25"	S-4IP-S14-UL	-1/4T	16.25"
		-1/2T	7.5"			-1/2T	18.25"
		-1T	10.5"			-1T	21.25"
4"	L-3/4IP-S14-UL	-1/4T	6"	14.75"	L-4IP-S14-UL	-1/4T	16.75"
		-1/2T	8"			-1/2T	18.75"
		-1T	11"			-1T	21.75"
4.25"	S-1IP-S14-UL	-1/4T	6.25"	17.5"	S-5IP-S14-UL	-1/4T	19.5"
		-1/2T	8.25"			-1/2T	21.75"
		-1T	11.25"			-1T	24.5"
4.75"	L-1IP-S14-UL	-1/4T	6.75"	18"	L-5IP-S14-UL	-1/4T	20"
		-1/2T	8.75"			-1/2T	22.25"
		-1T	11.75"			-1T	25"
5"	S-1-1/4IP-S14-UL	-1/4T	7.25"	21"	S-6IP-S14-UL	-1/4T	24"
		-1/2T	9.25"			-1/2T	25.25"
		-1T	12.25"			-1T	29"
5.5"	L-1-1/4IP-S14-UL	-1/4T	7.75"	21.5"	L-6IP-S14-UL	-1/4T	24.5"
		-1/2T	9.75"			-1/2T	25.75"
		-1T	12.75"			-1T	29.5"
6"	S-1-1/2IP-S14-UL	-1/4T	8"	27.25"	S-8IP-S14-UL	-1/4T	30.25"
		-1/2T	10"			-1/2T	31.25"
		-1T	13"			-1T	35.25"
6.5"	L-1-1/2IP-S14-UL	-1/4T	8.5"	27.75"	L-8IP-S14-UL	-1/4T	30.75"
		-1/2T	10.5"			-1/2T	31.75"
		-1T	13.5"			-1T	35.75"
7.5"	S-2IP-S14-UL	-1/4T	9.5"				
		-1/2T	11.5"				
		-1T	14.5"				
8"	L-2IP-S14-UL	-1/4T	10"				
		-1/2T	12"				
		-1T	15"				

*** All above Tracer Wrap has an 1.5" velcro flap. Cloth Width is 1.5" greater than the Insulation Width. ***

LINED TRACER WRAP SIZES

MEASURED PIPE CIRC. (INCHES)	SIZE CODE	Thickness	CLOTH WIDTH (INCHES)	MEASURED PIPE CIRC. (INCHES)	SIZE CODE	Thickness	CLOTH WIDTH (INCHES)
1"	S-1/4SST-S14-L	-1/4T -1/2T	3" 5.25"	9"	S-2-1/2IP-S14-L	-1/4T -1/2T	11" 13"
1.5"	L-1/4SST-S14-L	-1/4T -1/2T	3.5" 5.75"	9.5"	L-2-1/2IP-S14-L	-1/4T -1/2T	11.5" 13.5"
2"	S-1/2SST-S14UL	-1/4T -1/2T	4" 6"	11"	S-3IP-S14-L	-1/4T -1/2T	13" 15"
2.5"	L-1/2SST-S14-L	-1/4T -1/2T	4.5" 6.5"	11.5"	L-3IP-S14-L	-1/4T -1/2T	13.5" 15.5"
2.75"	S-3/4SST-S14-L	-1/4T -1/2T	4.75" 6.75"	12.5"	S-3-1/2IP-S14-L	-1/4T -1/2T	14.5" 16.5"
3.25"	L-3/4SST-S14-L	-1/4T -1/2T	5.25" 7.25"	13"	L-3-1/2IP-S14-L	-1/4T -1/2T	15" 17"
3.5"	S-3/4IP-S14-L	-1/4T -1/2T	5.5" 7.5"	14.25"	S-4IP-S14-L	-1/4T -1/2T	16.25" 18.25"
4"	L-3/4IP-S14-L	-1/4T -1/2T	6" 8"	14.75"	L-4IP-S14-L	-1/4T -1/2T	16.75" 18.75"
4.25"	S-1IP-S14-L	-1/4T -1/2T	6.25" 8.25"	17.5"	S-5IP-S14-L	-1/4T -1/2T	19.5" 21.75"
4.75"	L-1IP-S14-L	-1/4T -1/2T	6.75" 8.75"	18"	L-5IP-S14-L	-1/4T -1/2T	20" 22.25"
5"	S-1-1/4IP-S14-L	-1/4T -1/2T	7.25" 9.25"	21"	S-6IP-S14-L	-1/4T -1/2T	24" 25.25"
5.5"	L-1-1/4IP-S14-L	-1/4T -1/2T	7.75" 9.75"	21.5"	L-6IP-S14-L	-1/4T -1/2T	24.5" 25.75"
6"	S-1-1/2IP-S14-L	-1/4T -1/2T	8" 10"	27.25"	S-8IP-S14-L	-1/4T -1/2T	30.25 31.25"
6.5"	L-1-1/2IP-S14-L	-1/4T -1/2T	8.5" 10.5"	27.75"	L-8IP-S14-L	-1/4T -1/2T	30.75 31.75"
7.5"	S-2IP-S14-L	-1/4T -1/2T	9.5" 11.5"				
8"	L-2IP-S14-L	-1/4T -1/2T	10" 12"				

*** All above Tracer Wrap has an 1.5" velcro flap. Cloth Width is 1.5" greater than the Insulation Width. ***